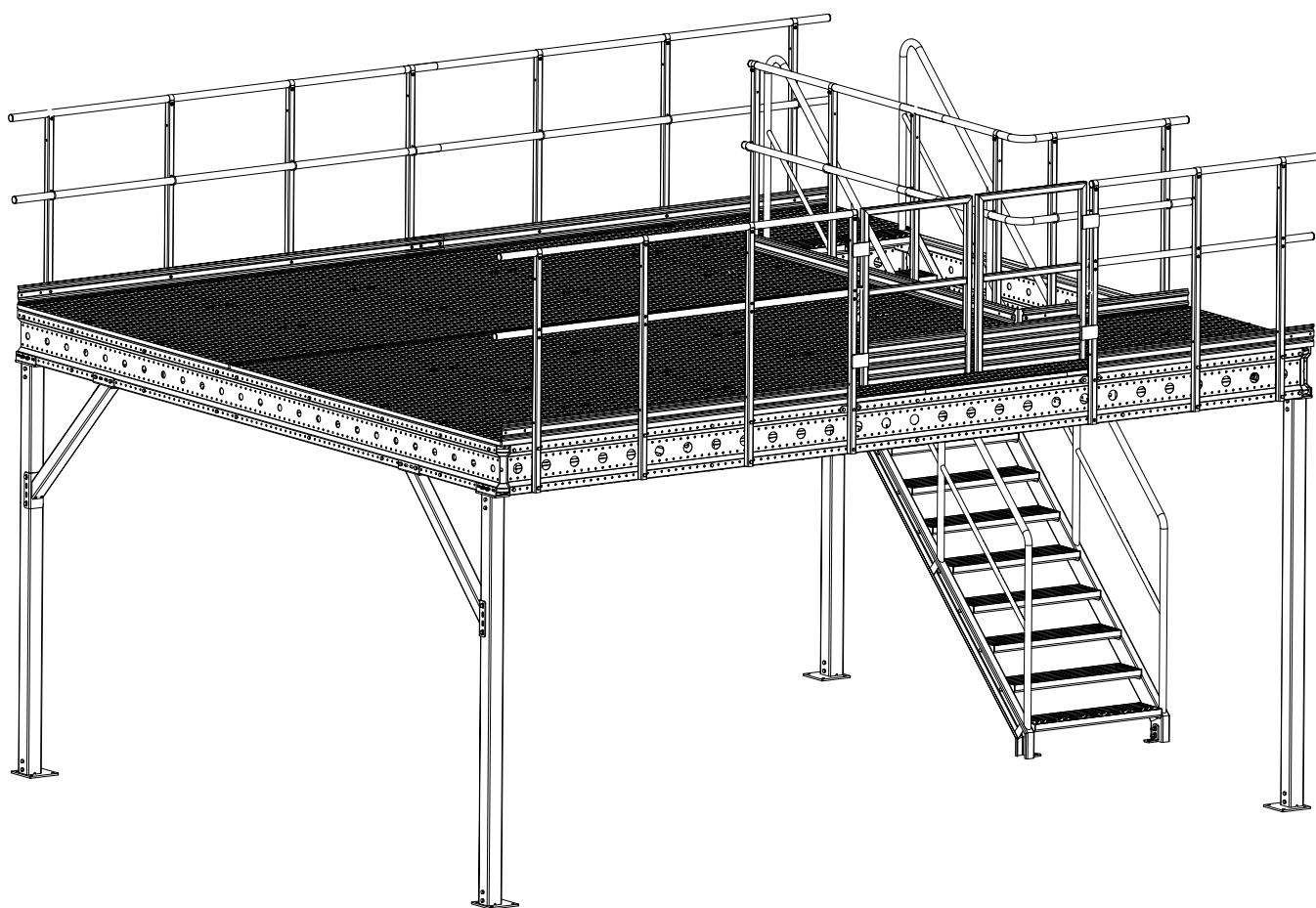


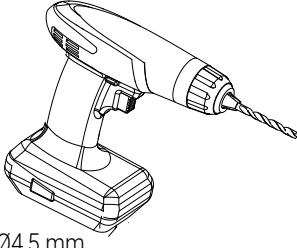
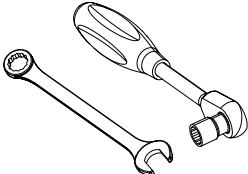
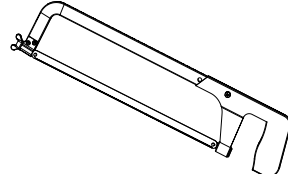
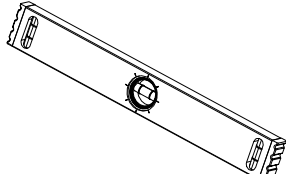
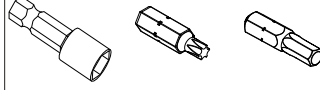

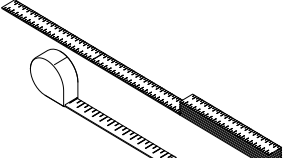
ENTRESOL
MEZZANINE
MEZZANIN
ENTRESOLIN



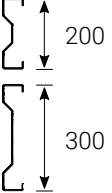
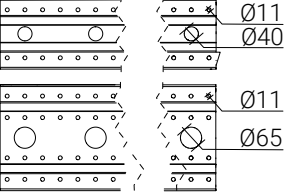
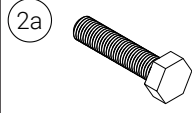

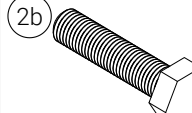
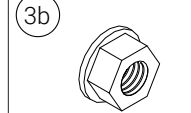
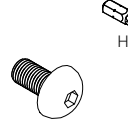
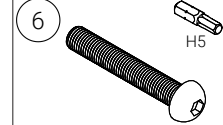
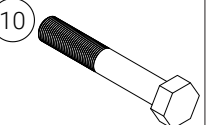
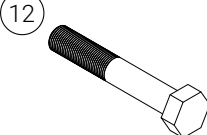
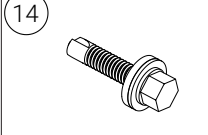
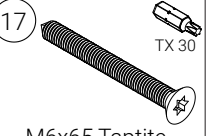
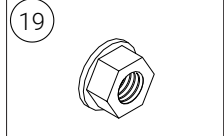
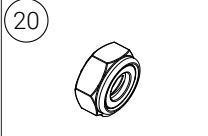
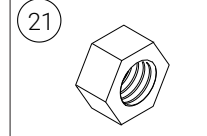
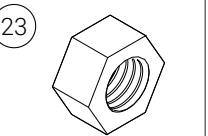
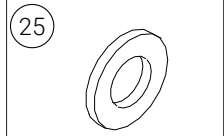
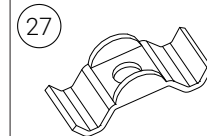
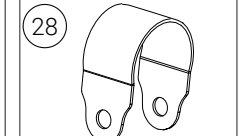
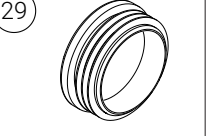
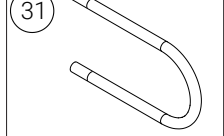
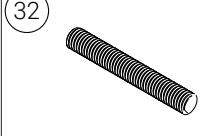
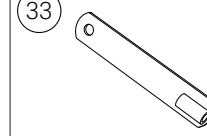
WELAND



VERKTYG SOM BEHÖVS • TOOLS REQUIRED • ERFORDERLICHE WERKZEUGE • TARVITAVAT TYÖKALUT

 Ø4,5 mm Ø5,5 mm Ø12,5 mm	M6 M8 M10 M12 M16 M20 		
	M8 TX20 TX 30 H5 		

DETALJSPECIFIKATION • SPECIFICATION OF COMPONENTS • EINZELTEIL-SPEZIFIKATION • OSALUETTELO

 200 300 	1a  M6S-H M10x25, fzv fzv 164610251	2a  M6S-H M10x35, fzv fzv 164610351	3a  M6M M10, fzv 164610001	4a  M10, fzv 164101	
 400 	1b  M6S-H M12x25, Zn/Ni	2b  M6S M12x40, fzv	3b  M6MF M12, fzv	4b  M12, fzv	
5  K6S M8x16, rf A2 164608162	6  K6S M8x50, rf A2 164608502	7  M6S-H M8x70, rf A4 163607002	8  M6S-H M10x65, fzv fzv 164610651	9  M6S M10x80, fzv 164608801	10  M6S M10x120, fzv 164610121
11  M6S M12x65, fzv 164612651	12  M6S M12x120, fzv 164612121	13  M6S M20x130, fzv 164620131	14  STAPS 5,5x26, rf 16406262	15  6,3x50, Zn/Ni 163145001	16  6,3x70, Zn/Ni 163637001
17  M6x65, Taptite Zn/Ni 0501381	18  M6MF M6, Zn/Ni 16466002	19  M6MF M8, rf A2 1646082	20  Låsmutter M8, rf A4 1646080012	21  M16, fzv 164616001	22  M16, L=50, fzv 164616501
23  M20, fzv 164620001	24  BRB M8, 8,4x16x1,6 fzv 16481	25  M16, fvz 164161	26  M20, fvz 164201	27  33X20, ZM310 163332001	28  Ø42, rf 16342016
29  Ø42x1,5 759AH42	30  30x30x3 759AH30	31  U-Bygel, M6, Zn/Ni 16466UB2	32  M16x1000, fzv RB1610-00	33  M16 Ø22, vfz H507	

SVENSKA - Bultdetaljer för infästning mot befintlig konstruktion ingår ej.
 ENGLISH - Bolts for fastening to wall or floor is not included in delivery.
 SUOMI - Kiinnityspultit runkorakenteisiin eivät sisälly toimitukseen.

DEUTSCH - Verankerungsmaterial (Dübel) zur Befestigung der Wendeltreppe am Gebäude/Fundament sind nicht im Lieferumfang enthalten.

WELAND

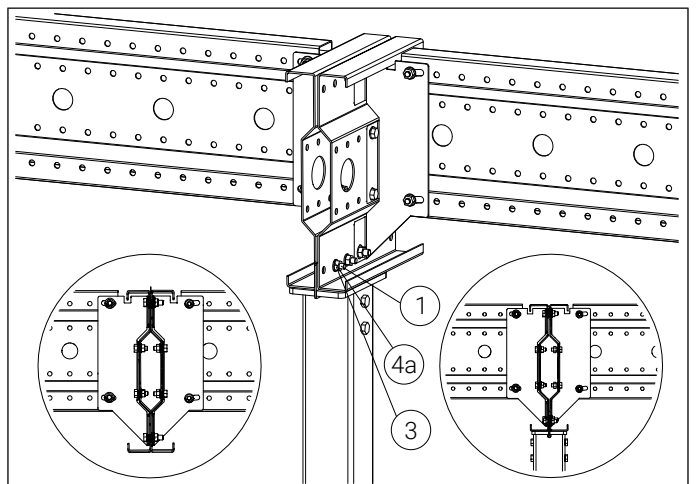
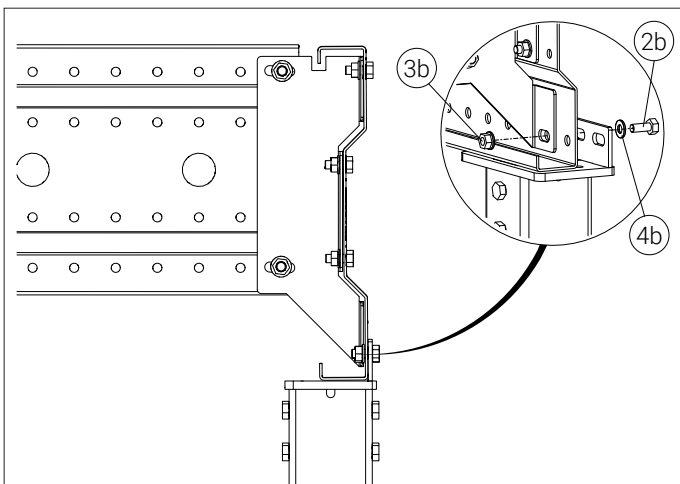
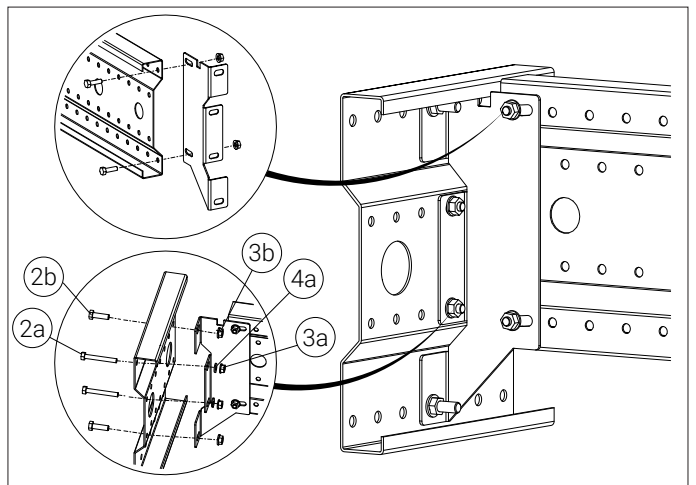
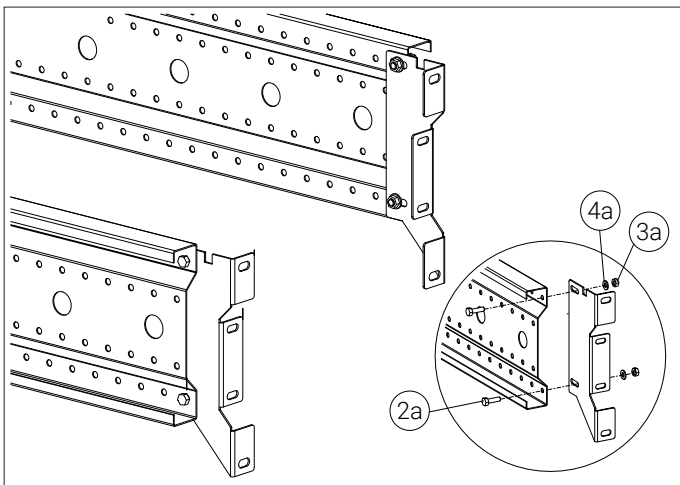
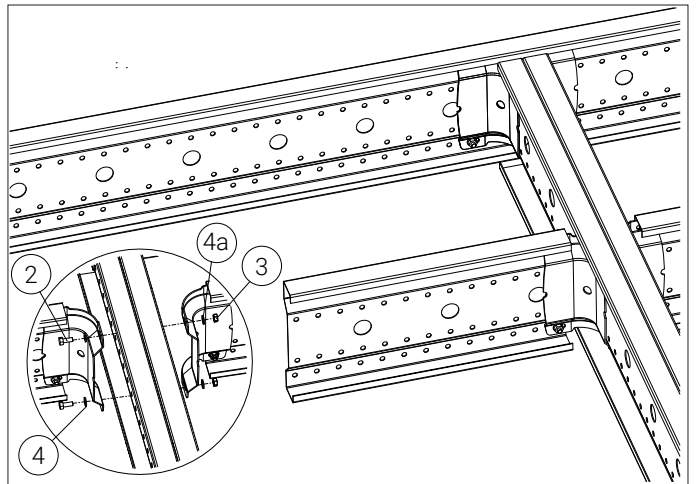
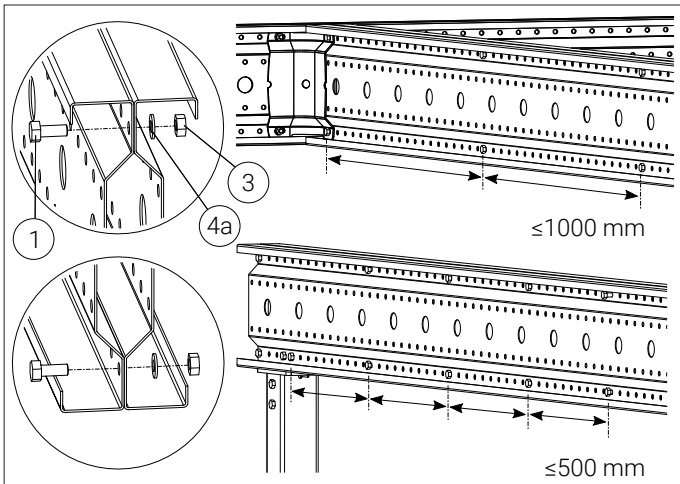
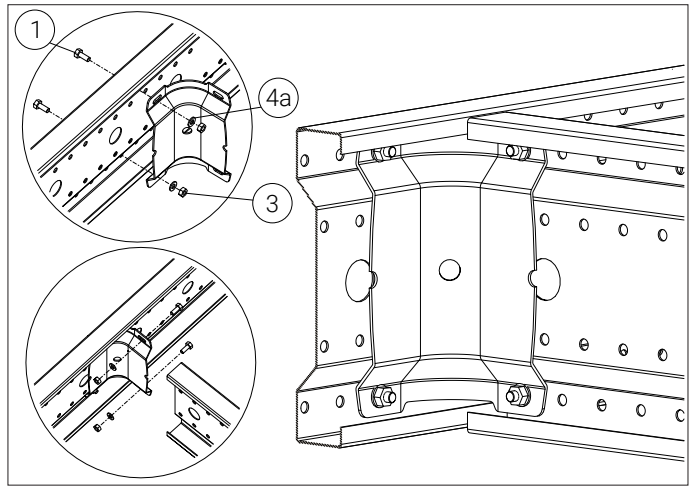
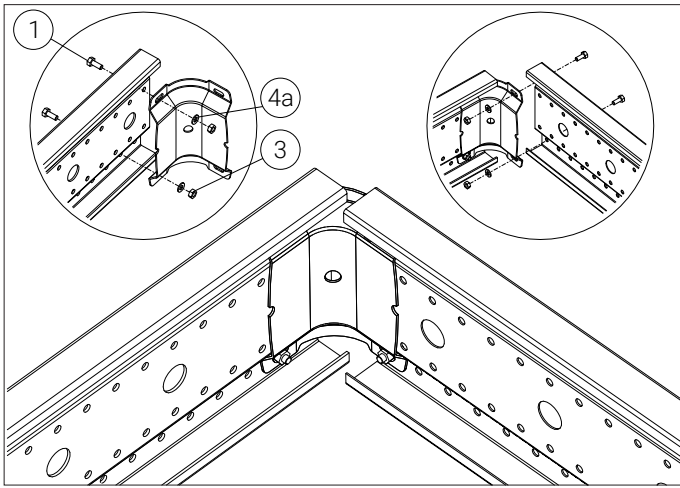
58
 200
 300
 400
 Ø11
 Ø40
 Ø11
 Ø65
 Ø13
 Ø65
 300,350,400,450....-8000 mm

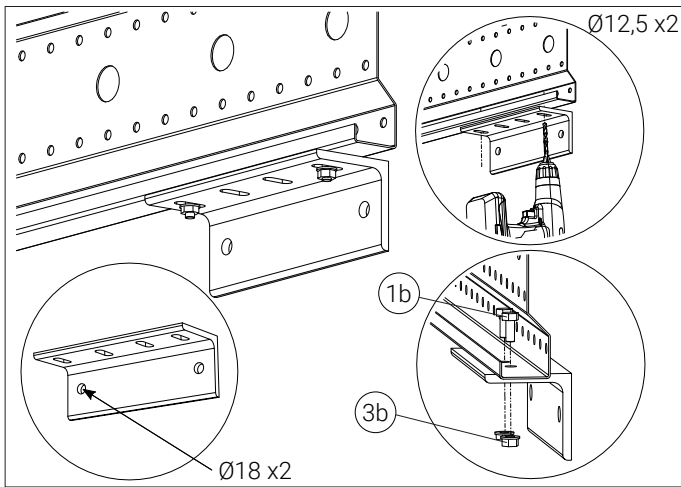
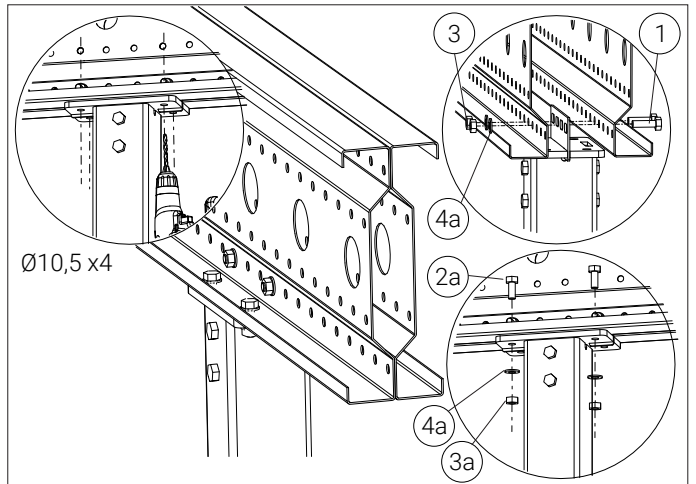
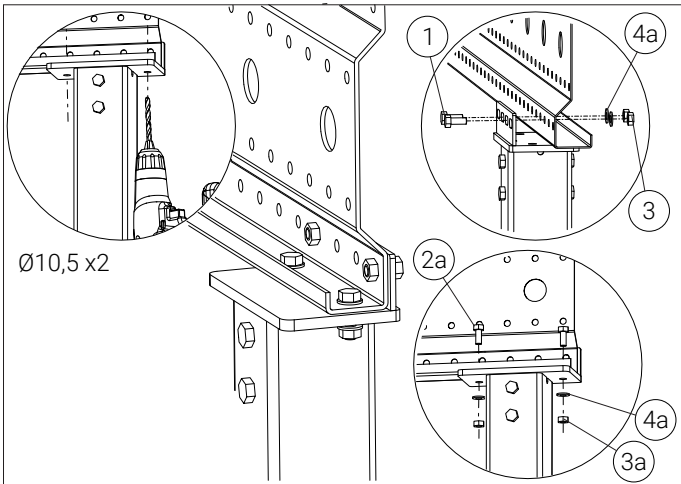
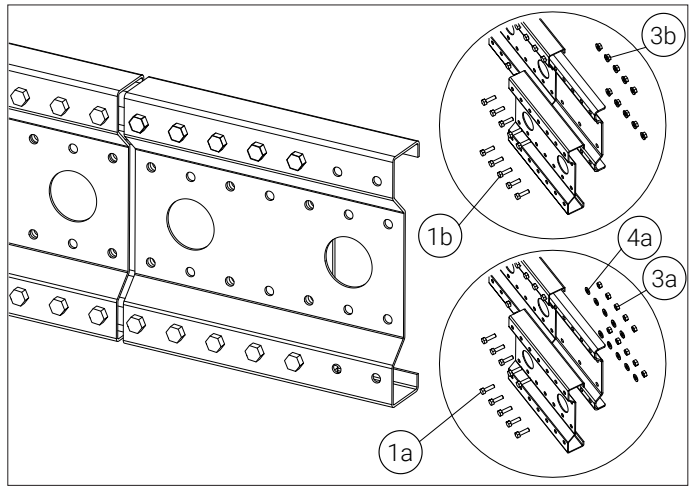
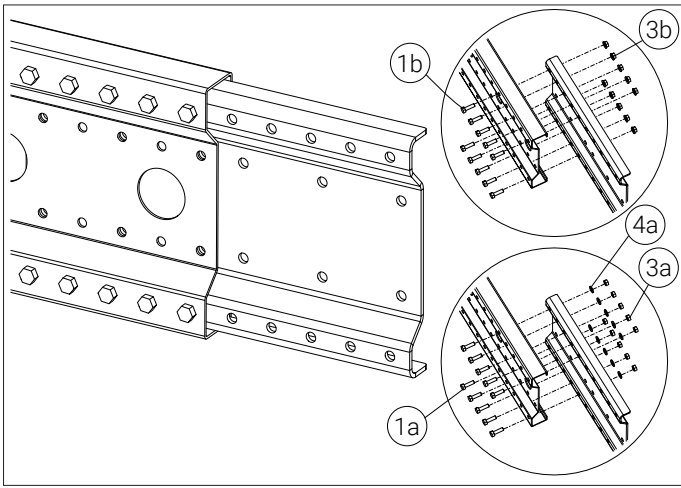
200
 Ø14 x 4
 150

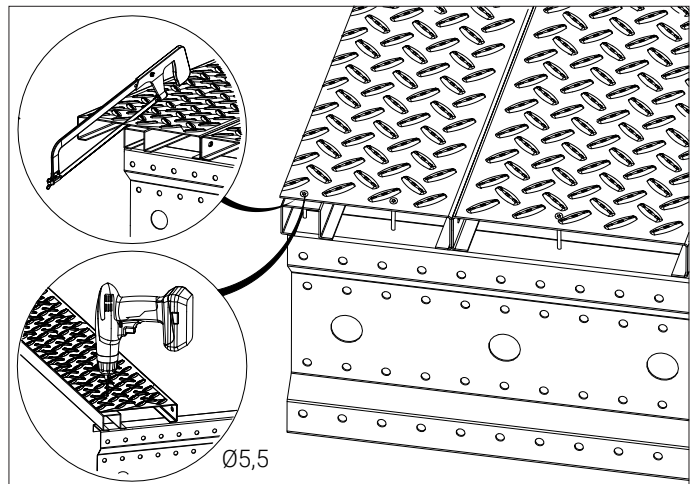
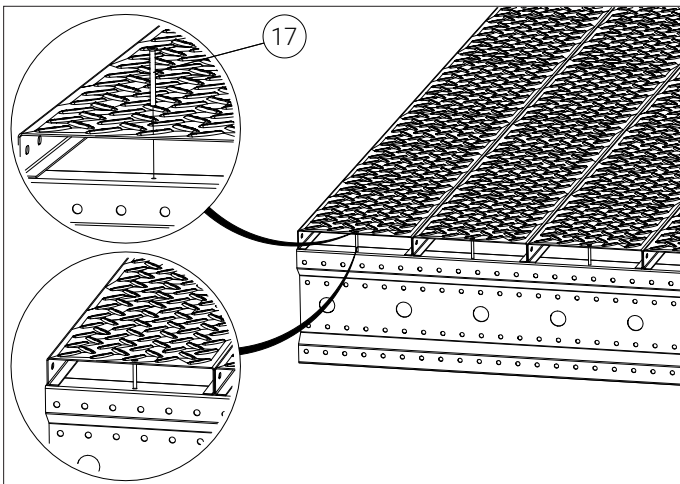
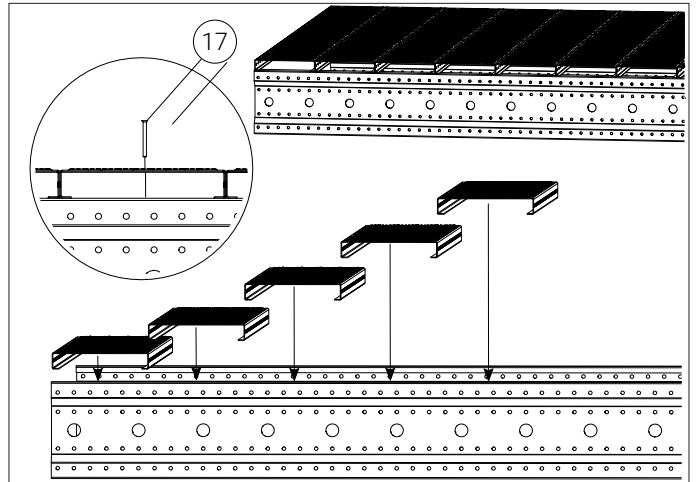
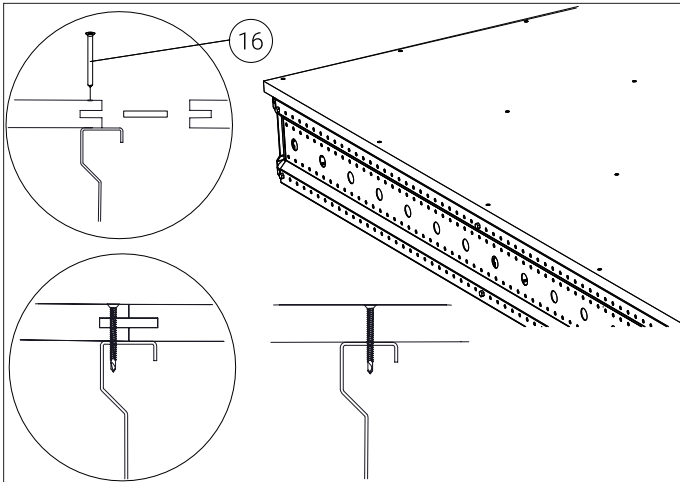
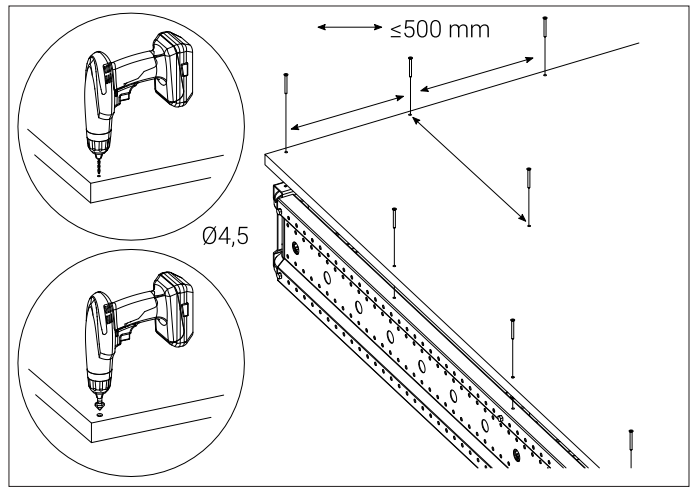
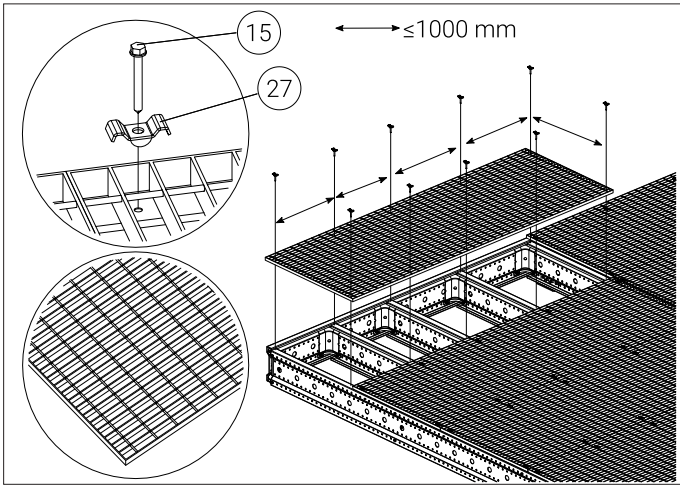
1b

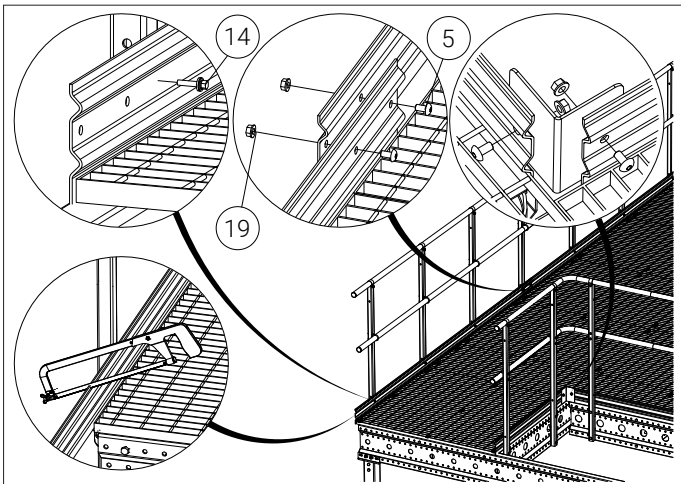
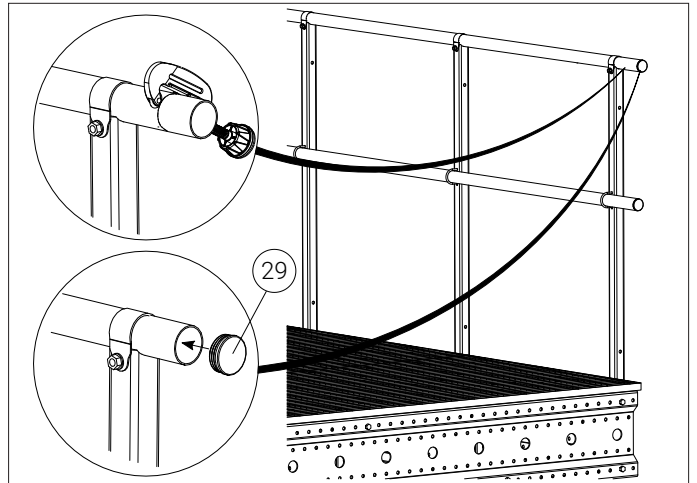
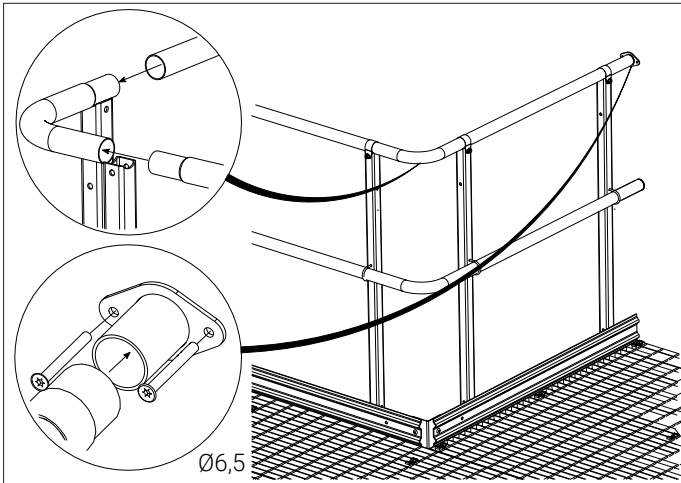
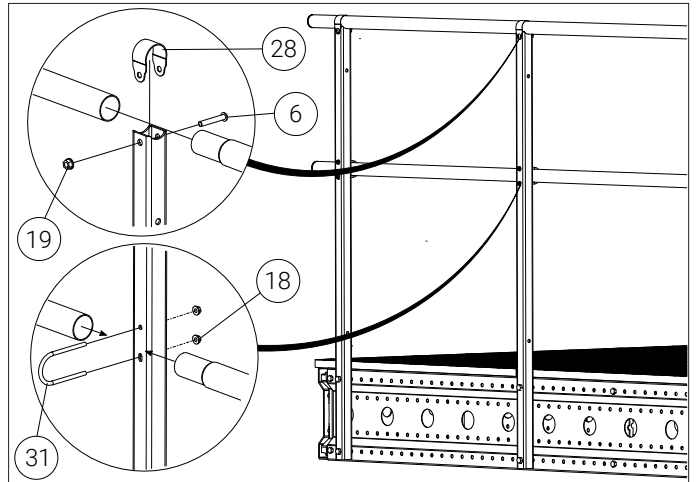
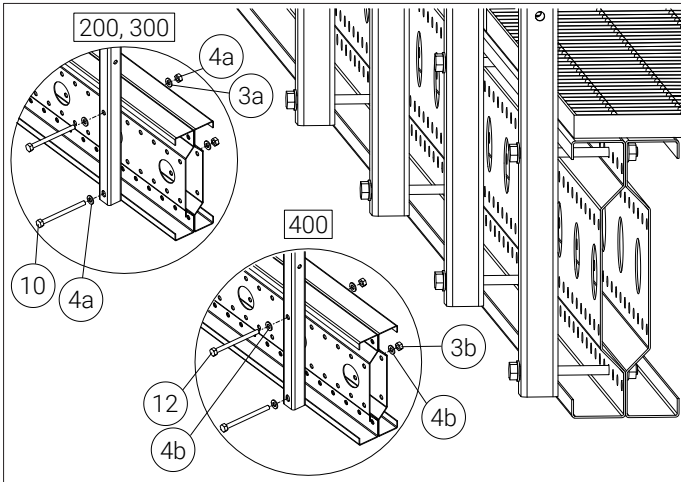
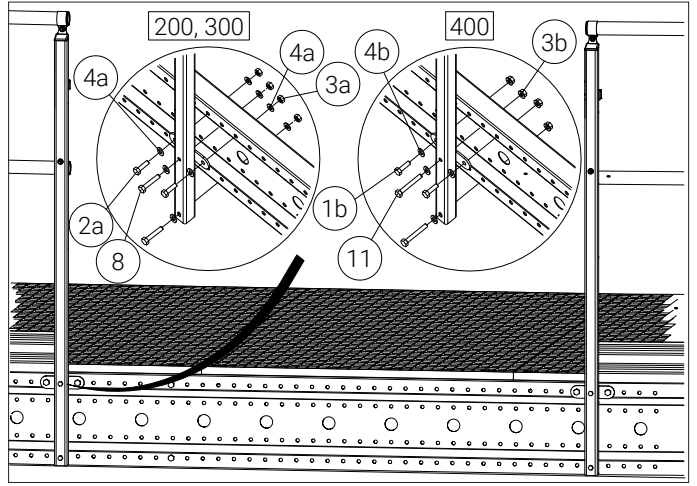
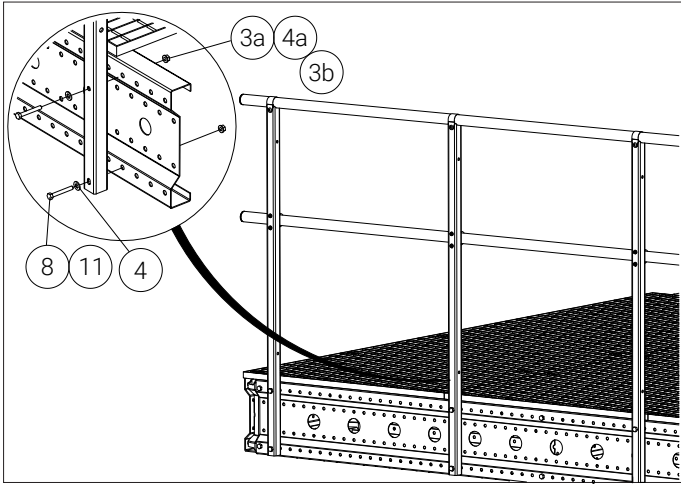
30 mm
 80 mm

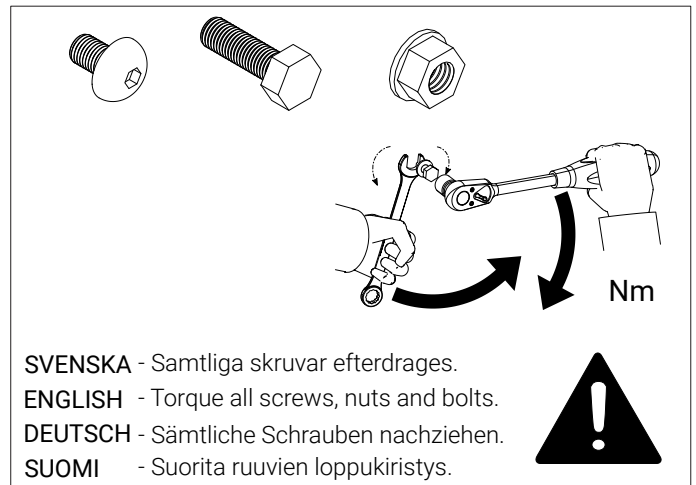
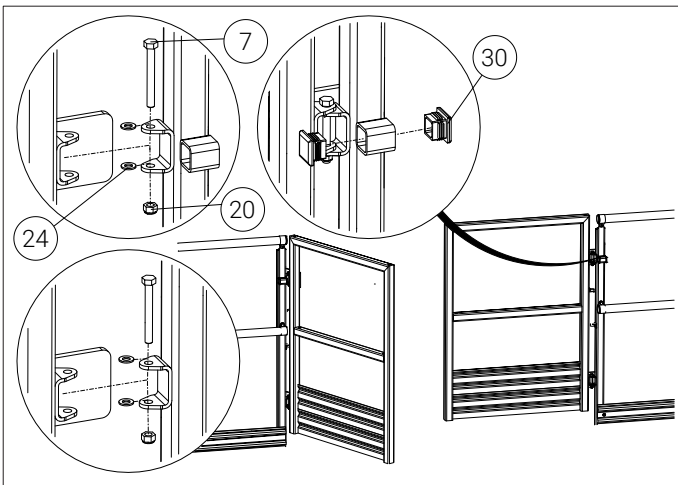
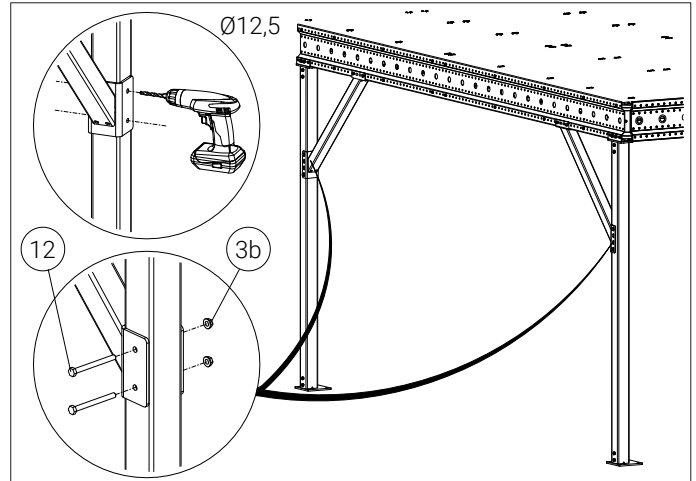
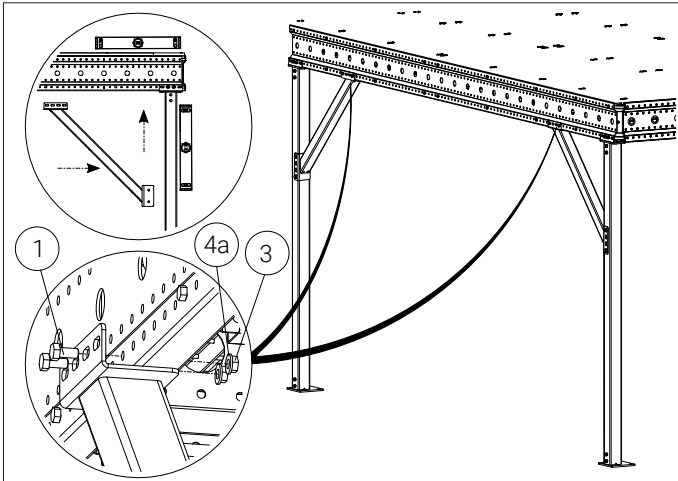
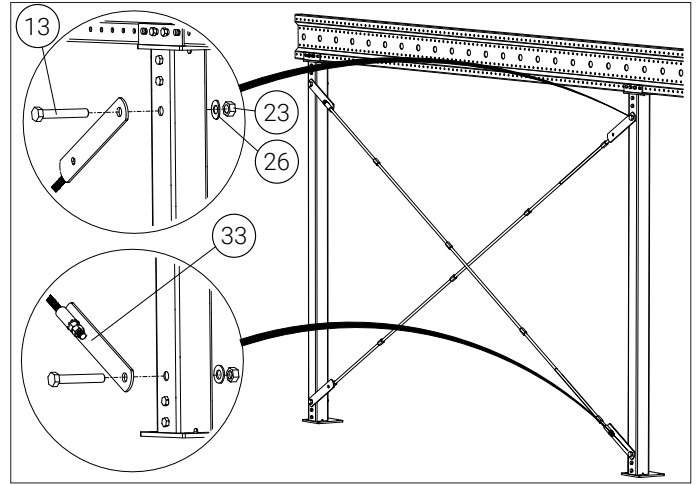
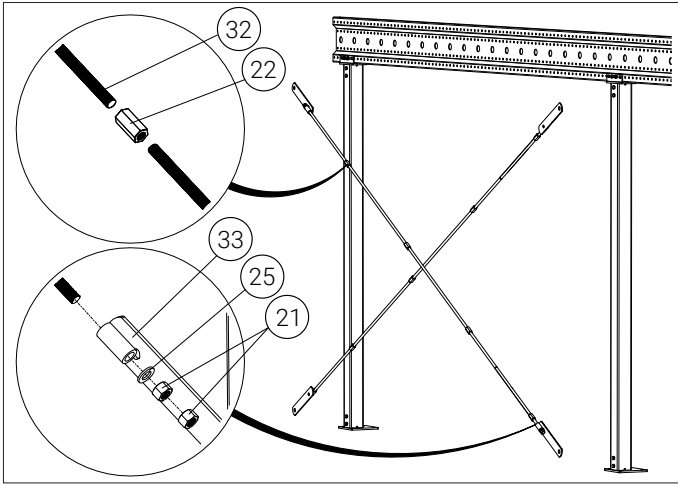
3
 1
 4a
 5 mm
 25 mm











Weland AB
Malmgatan 34
333 30 Smålandsstenar
Sverige

Tel. +46(0)371-344 00
E-post: info@weland.se
weland.se

Weland AS
Svennerudveien 34
2016 Frogner
Norge

Tel. 46 93 91 00
E-mail: weland@weland.no
weland.no

Weland & Sønner A/S
Rugvænget 32
2630 Taastrup
Danmark

Tel. 43 99 75 55
E-mail: weland@weland.dk
weland.dk

Weland GmbH
Spenglerstr. 89-91
23556 Lübeck
Deutschland

Tel. 0451-899 41-0
Fax. 0451-899 41-50
E-mail: info@weland.de
weland.de

Weland Oy
Peltotie 31
28400 Ulvila
Suomi

Puh. 02-6343 900
S-posti: info@weland.fi
weland.fi

WELAND